

0.5A Avg.

30 Volts

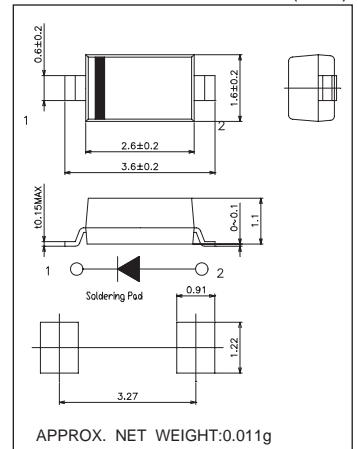
SBD

EP05Q03L

最大定格 Maximum Ratings

| Item   | Symbol       | Conditions  | Unit         |
|--|--------------|---|--------------|
| くり返しピーク逆電圧<br>Repetitive Peak Reverse Voltage    | $V_{RRM}$    | 30  | V            |
| 平均整流電流<br>Average Rectified Forward Current      | $I_O$        | 50Hz、正弦半波通電抵抗負荷<br>50Hz Half Sine Wave Resistive Load                   | 0.49<br>0.5  |
| 実効順電流<br>R.M.S. Forward Current                  | $I_{F(RMS)}$ |   | 0.785        |
| サージ順電流<br>Surge Forward Current                  | $I_{FSM}$    | 8 50Hz正弦半波, 1サイクル, 非くり返し<br>50Hz Half Sine Wave, 1cycle, Non-repetitive | A            |
| 動作接合温度範囲<br>Operating Junction Temperature Range | $T_{jw}$     |   | - 40 ~ + 150 |
| 保存温度範囲<br>Storage Temperature Range              | $T_{stg}$    |   | - 40 ~ + 150 |

OUTLINE DRAWING(mm)



電氣的・熱的特性 Electrical/Thermal Characteristics

| Item                           | Symbol        | Conditions                       | Min. | Typ. | Max. | Unit    |
|--------------------------------|---------------|----------------------------------|------|------|------|---------|
| ピーク逆電流<br>Peak Reverse Current | $I_{RM}$      | $T_j = 25$ , $V_{RM} = V_{RRM}$  | -    | -    | 200  | $\mu A$ |
| ピーク順電圧<br>Peak Forward Voltage | $V_{FM}$      | $T_j = 25$ , $I_{FM} = 0.5A$     | -    | -    | 0.45 | V       |
| 熱抵抗<br>Thermal Resistance      | $R_{th(j-a)}$ | 接合部・周囲間*<br>Junction to Ambient* | -    | -    | 300  | /W      |
|                                | $R_{th(j-l)}$ | 接合部・リード間<br>Junction to Lead     | -    | -    | 70   | /W      |

\*プリント基板実装/Glass-Epoxy Substrate mounted (Soldering Lands= 1 x 1 mm, Both Sides)  
(Tl: Lead Temperature)

定格・特性曲線

